



FS-C8008N FS-C8008DN

Color Laser Printer



Quick Reference Guide

Notice

NO LIABILITY IS ASSUMED FOR ANY DAMAGE CAUSED BY IMPROPER INSTALLATION OF THE PRODUCT.

SOFTWARE USED WITH THIS PRINTER MUST SUPPORT THE PRINTER'S NATIVE MODE OR ONE OF ITS EMULATION MODES.

The information in this manual is subject to change without notification. Additional pages may be inserted in future editions. The user is asked to excuse any technical inaccuracies or typographical errors in the present edition.

No responsibility is assumed if accidents occur while the user is following the instructions in this manual. No responsibility is assumed for defects in the printer's firmware (contents of its read-only memory).

This manual, any copyrightable subject matter sold or provided with or in connection with the sale of the page printer, are protected by copyright. All rights are reserved. Copying or other reproduction of all or part of this manual, any copyrightable subject matter without the prior written consent of Kyocera Mita Corporation is prohibited. Any copies made of all or part of this manual, any copyrightable subject must contain the same copyright notice as the material from which the copying is done.

©2002 KYOCERA MITA CORPORATION. All rights reserved.

The names of actual companies and products mentioned herein may be the trademarks of their respective owners.

FS-C8008N
FS-C8008DN

Quick Reference Guide

Contents

Guide to the information about the printer	3
Understanding the Error Messages	4
Loading Paper	14
Clearing Paper Jams	18
[Paper Jam — Right Cover #]	19
[Paper Jam — Cassette #]	19
[Paper Jam — MP Tray]	20
[Paper Jam — Duplexer]	20
[Paper Jam — Paper Transfer Unit]	21
[Paper Jam — Left Cover]	26
[Paper Jam — Option Stacker/Finisher/Sorter]	27
Toner Container Replacement	28
Replacing the Toner Container	29
Replacing the Waste Toner Box	31
Cleaning the Printer	33
Cleaning the Paper Transfer Unit	33
Cleaning the Main Charger Unit	35

Guide to the information about the printer

The following documentation and CD-ROM are supplied:

Installation Guide	This guide provides information on installing the printer and other options before starting to use.
Quick Reference Guide (This brochure)	This guide provides common information about the printer such as loading paper, understanding messages, etc. This guide can be retained in the plastic pocket at the printer.
Operation Guide	This guide is supplied as an online manual (PDF) in the CD-ROM. This guide fully details the information on the printer features, hardware, troubleshooting, printer driver handling, etc.
KX Printer Drivers Operation Guide	This guide is supplied as an online manual (PDF) in the CD-ROM. This guide explains how to install and configure the printer driver.
Software and Document CD-ROMs	These CDs include the printer software for Kyocera Mita printers such as printer drivers, network printer monitors, and various software utilities. Also, these CDs include the Operation Guides and other documents.
Web site	The latest versions of printer drivers and utilities are available for downloading at: http://www.kyoceramita.com/download/

Understanding the Error Messages

These messages appear on the printer's message display when the printer needs the operator's attention. For more details, refer to chapter 4 of the *Operation Guide*.

Message	Corrective Action
Add paper MPTray	<p>The paper has run out in the paper source displayed. Supply paper according to the paper source displayed (paper cassettes, MP tray, or optional paper feeders).</p> <p>This message is displayed alternately with messages indicating the printer status, such as, Ready, Please wait, Processing, Waiting, and Form Feed Time Out. If the number of copies to print is 2 or more, only the Add paper message is displayed.</p>
Add staples Press GO	<p>The optional document finisher has run out of staples. Replenish staples and press the GO key.</p>
Call service ####:0123456	<p>#### represents a mechanical error (#=0, 1, 2, ...). Call a service. The printer does not operate when this message is displayed. The total number of pages printed is also indicated, e.g. 0123456.</p>
Call service F###:	<p>F### represents a controller error (#=0, 1, 2, ...). Call a service. The printer does not operate when this message is displayed.</p>
Call service Person F0	<p>This message means an error in data communications between the printer controller and the operator panel. Call a service.</p>

Message	Corrective Action
Cassette # not loaded	The corresponding paper cassette is not installed. Install the cassette. The cassette number can be 1 (topmost) to 6 (bottom); and for the DN model, 2 to 6.
Check waste toner box	This message warns following two cases. Install the new waste toner box. <ul style="list-style-type: none"> • The waste toner box is not installed. • The waste toner box is almost full.
Close finisher cover	The optional document finisher (DF-31) cover is open. Close the cover.
Close front cover	The front cover is open. Close the front cover.
Close left cover	The left cover of the printer is open. Close the printer left cover.
Close right cover #	The right cover of paper feeder is open. Close the cover of the paper feeder 1 (topmost) to 3 (bottom) as displayed in place of #.
Close sorter cover	The optional sorter (SO-30) cover is open. Close the cover.
Close stacker cover	The optional bulk stacker (ST-30) cover is open. Close the cover.
Duplex disabled Press GO	You attempted to print with a paper size and paper type that cannot be used for duplex printing. Press the GO key to print onto one-side of the paper only.

Message	Corrective Action
Duplex drawer not loaded	The duplex drawer is not installed. Install the duplex drawer. This message is applicable to the DN model.
Face-down tray paper full	The face-down tray has become full (approx. 500 pages). You must remove all printed pages from the face-down tray. When the printer detects that the face-down tray is empty again, the printer will continue printing into the face-down tray.
Face-up tray path error	The face-up tray is not open although you have attempted to print in the face-up tray. Open the face-up tray.
File not found Press GO	<p>You have attempted to print a job that is not contained in the specified virtual mailbox, or the specified virtual mailbox is not found.</p> <p>If Auto Continue is set to On, printing will be automatically resumed after a preset period of time. For details on Auto Continue, refer to chapter 3 of the <i>Operation Guide</i>.</p>
Finisher tray ## paper full	The optional document finisher (DF-31) tray is full. Remove all printed pages from the tray.
Finisher path error	The optional document finisher (DF-31) is not installed properly. Correct the installation by referring to the instructions supplied with the document finisher.
Format error Memory Card	The memory card inserted in the printer is not formatted, and therefore cannot be read or written. To format a memory card, follow the procedure in chapter 3 of the <i>Operation Guide</i> .

Message	Corrective Action
<pre>Format error Hard disk</pre>	<p>The hard disk installed in the printer is not formatted, and therefore cannot be read or written. To format the hard disk, follow the procedure in the Installation Guide of the hard disk.</p>
<pre>Hard disk err ## Press GO</pre>	<p>A hard disk error has occurred. Look at the error code given in place of ## and refer to chapter 4 of the <i>Operation Guide</i>. To ignore the hard disk error, press the GO key.</p>
<pre>I/F occupied</pre>	<p>This message is displayed when you attempt to use the printer's operator panel to change the environmental settings on the interface from which data are presently being received.</p>
<pre>ID error</pre>	<p>The user ID entered for a private job, or a stored job is not correct. Check the user ID that you specified on the printer driver.</p>
<pre>Incorrect slot Please reinstall</pre>	<p>The optional hard disk is installed in the network interface card slot (OPT) in the printer.</p> <p>The optional network interface card is installed in the hard disk slot (HDD) in the printer.</p> <p>Install it in the appropriate slot.</p>
<pre>Insert the same memory card</pre>	<p>You have inserted the wrong memory card when the <code>Insert again</code> message was displayed. Remove the wrong memory card from the printer's memory card slot and insert the correct memory card. The printer again reads it from the beginning of the data.</p>

Message	Corrective Action
Install MK [A]†	Replace Maintenance Kit A which is displayed on your printer message window. Replacement of the maintenance kit is necessary at every 600,000 images of printing and requires professional servicing. Contact your Kyocera Mita dealer.
Install MK [B]†	Replace Maintenance Kit B. Replacement of the maintenance kit B is necessary at every 300,000 pages of printing and requires professional servicing. Contact your Kyocera Mita dealer.
Install MK [C]†	Replace Maintenance Kit C. Replacement of the maintenance kit C is necessary at every 300,000 images of printing and requires professional servicing. Contact your Kyocera Mita dealer.
KPDL error ## Press GO	<p>Current print processing cannot continue because of occurrence of KPDL error which is categorized by ##. To print out an error report, display > Print KPDL err(s) from the menu system, and select On. Press the GO key to resume printing. You can abandon printing by the CANCEL key.</p> <p>If Auto Continue is set to On, printing will be automatically resumed after a preset period of time.</p>

Message	Corrective Action
<div style="border: 1px solid black; padding: 5px;">Load Cassette # (A4)/(PLAIN)^{††}</div>	<p>The paper cassette matching the paper size and paper type of the print job is empty. Load paper into the paper cassette indicated by #. Press the GO key to resume printing.</p> <p>If you want to print from a different paper source, press the ∇ or \triangle key to display <code>Use alternative</code> and you can change the source for paper feeding. After selecting a paper source and pressing the MENU key, <code>Paper Handling ></code> appears. By pressing the \triangle key, the paper type settings menu appears. After setting the correct paper type, press the ENTER key and printing starts.</p> <p>If you want to print from a different paper source, see chapter 3 of the <i>Operation Guide</i>.</p>

Message**Corrective Action**

Load MP Tray
(A4)/(PLAIN)^{††}

There is no paper cassette installed in the printer that matches the paper size and paper type of the print job. Set paper in the MP tray. Press the **GO** key to resume printing. (Note that feeding the paper having a paper size which does not match the current paper size from the MP tray can cause paper jam.)

Or, if you want to print from a different paper source, press the ∇ or \triangle key to display *Use alternative* and you can change the source for paper feeding. After selecting a paper source and pressing the **MENU** key, *Paper Handling >* appears. By pressing the \triangle key, the paper type settings menu appears. After setting the correct paper type, press the **ENTER** key and printing starts.

If you want to print from a different paper source, see chapter 3 of the *Operation Guide*.

Memory card err
Insert again

The memory card is accidentally removed from the printer's memory card slot during reading. If you continue reading the memory card, insert the same memory card into the slot again. The printer again reads it from the beginning of the data.

Also see *Insert the same memory card*.

Message	Corrective Action
Memory overflow Press GO	<p>The total amount of data received by the printer exceeds the printer's internal memory. Try adding more memory. Press the GO key to resume printing. You can abandon printing by the CANCEL key.</p> <p>If Auto Continue is set to On, printing will be automatically resumed after a preset period of time.</p>
MemoryCard err## Press GO	<p>A memory card error has occurred. Look at the error code given in place of ## and refer to chapter 4 of the <i>Operation Guide</i>. To ignore the memory card error, press the GO key.</p>
Missing # toner container	<p>Install the toner container using a toner kit for the particular color. The printer does not operate when this message is displayed.</p>
Missing duplex drawer	<p>The duplex unit is not installed. Install the duplex unit.</p>
Missing stapler unit	<p>The stapler unit is not installed in the optional document finisher. Install the stapler unit in the document finisher.</p>
Paper jam #####	<p>A paper jam has occurred. The location of the paper jam is indicated in place of the #'s. For details, see section <i>Clearing Paper Jams</i> on page 18.</p>
Paper loading	<p>After the paper cassette is closed, paper loading is in progress in the paper cassette.</p>

Message	Corrective Action
Print overrun Press GO†††	<p>The print job transferred to the printer was too complex to print on a page. Press the GO key to resume printing. (The page may break in some pages.)</p> <p>You can abandon printing by the CANCEL key.</p> <p>If Auto Continue is set to On, printing will be automatically resumed after a preset period of time.</p>
RAM disk error## Press GO	<p>A RAM disk error has occurred. Look at the error code given in place of ## and refer to chapter 4 of the <i>Operation Guide</i>. To ignore the RAM disk error, press the GO key.</p>
Remove paper Finisher tray ##	<p>Paper remains in an option document finisher as displayed in place of ##. Remove printed pages.</p>
Remove paper sorter tray ##	<p>Paper remains in an option sorter tray as displayed in place of ##. Remove printed pages.</p>
Replace toner C, M, Y, K	<p>Toner has run out in the toner container(s). Replace the toner container using a new toner kit for the particular color. The printer does not operate when this message is displayed.</p> <p>For example, if <code>Replace toner C,K</code> is displayed, replace the cyan and the black toner containers.</p>
Set paper Press GO	<p>The MP tray is out of paper. Load paper and press the GO key. (Note that feeding the paper having a paper size which does not match the current paper size from the MP tray can cause paper jam.)</p>

Message	Corrective Action
Sorter tray ## paper full	A tray of the optional sorter (SO-30) is full. Remove paper sheets in the corresponding tray as displayed in place of ##.
Sorter paper full	The optional sorter (SO-30) tray is full. Remove printed pages.
Sorter path error	The optional sorter (SO-30) is not installed properly. Correct the installation.
Stacker paper full	The optional bulk stacker (ST-30) tray is full. Remove printed pages.
Stacker path error	The optional bulk stacker (ST-30) is not installed properly. Correct the installation.
Toner low C, M, Y, K	Replace the toner container using a new toner kit. Color of the toner container that needs to be replaced is represented by C (Cyan), M (Magenta), Y (Yellow), and K (Black).
Unsupported external device	A device not supported by the printer is installed. Install an option unit supported by the printer.
Virtual mail box full	The storage area in the hard disk for the virtual mailboxes is full. Print out accumulated jobs in the virtual mailboxes.
Warning low memory	The printer's internal memory is running low due to too many numbers of fonts and macros downloaded. Try deleting unnecessary fonts and macros.

† These messages may be displayed altogether such as Install MK [A] [B] [C].

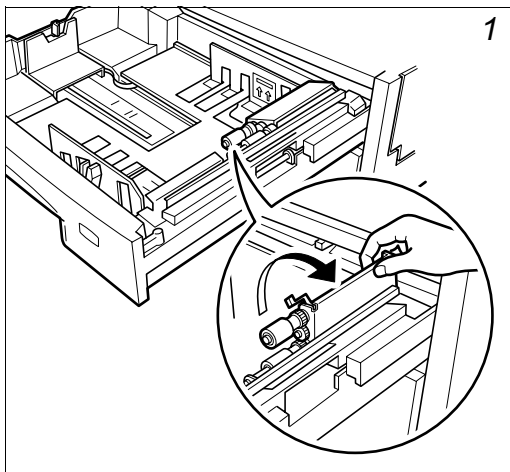
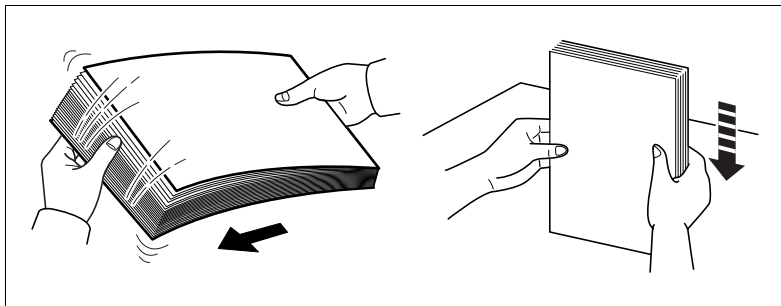
†† Messages separated by '()' are displayed alternately.

††† After this error has happened, page protect mode will be automatically turned on. To maintain optimum use of memory during printing, we recommend you manually turn off page protect mode. See chapter 3 of the *Operation Guide*.

Loading Paper

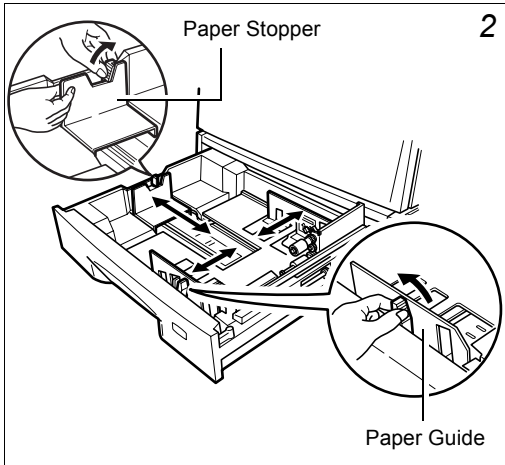


Fan the media (paper/transparencies), then tap it on a level surface to avoid media jams or skewed printing.



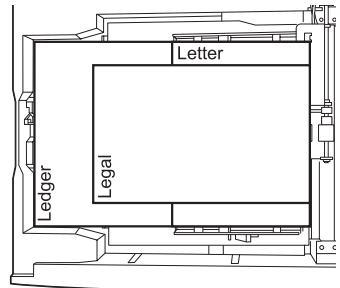
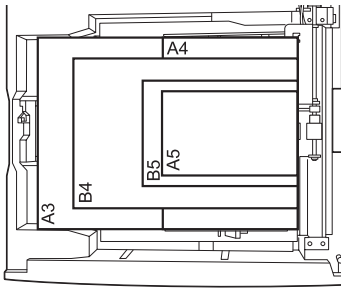
1 Loading paper into the cassette

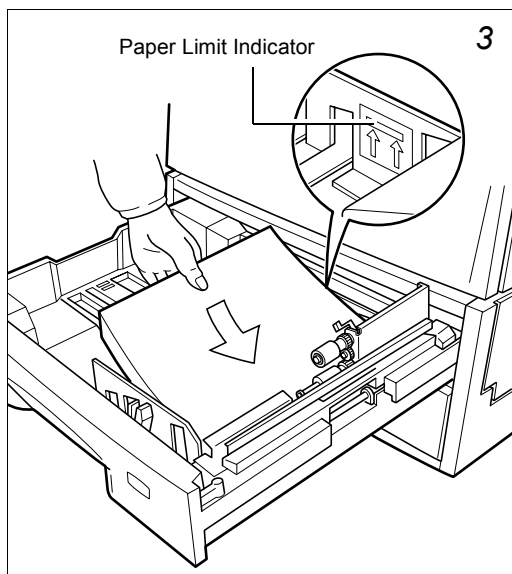
Pull out the paper feed cassette until it stops. Lift the paper feed roller located on the right side of the cassette upright.



Adjust the position of the paper guides according to the size of the paper you will use. To move the paper guides, press the green-colored knobs.

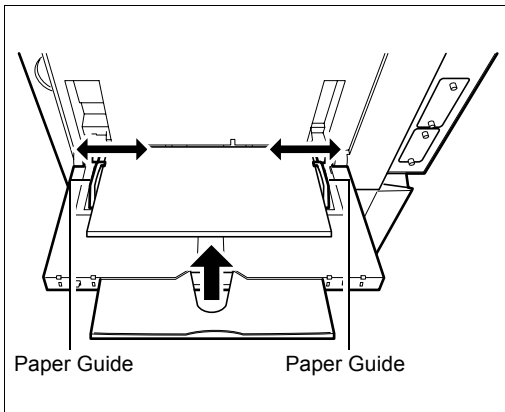
Align the paper stopper correctly with the markings in the cassette that match the paper size:





Square the edges of the paper and insert into the paper feed cassette. Be sure that the paper does not exceed the paper limit indicators. The paper feed cassette can hold up to about 500 sheets. Printing is performed on the underside of the paper.

Lower the paper feed roller to its original position. Close the paper feed cassette.



Loading paper into the MP (Multi-Purpose) tray

Open the MP tray located on the right side of the printer.

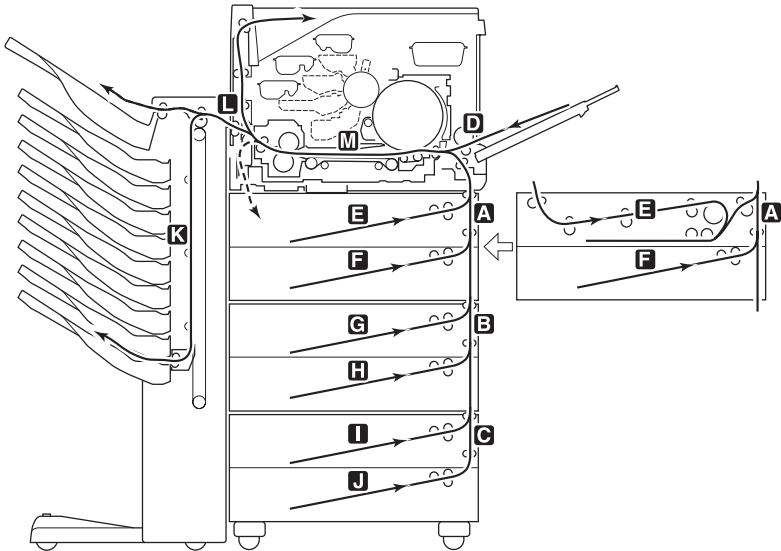
Adjust the position of the paper guides according to the size of the paper you will use.

Square the edges of the paper and insert into the MP tray.

Set the MP tray paper size on the printer's operator panel. Refer to chapter 3 of the *Operation Guide*.

Clearing Paper Jams

The figure below is a simplified diagram showing the paper paths in the print system. You can clear paper jams easily and quickly if you become familiar with the paper paths and locations of potential jams.

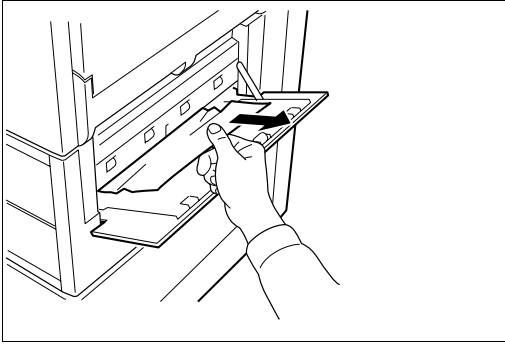


Depending on the indication on the message display, proceed as follows:



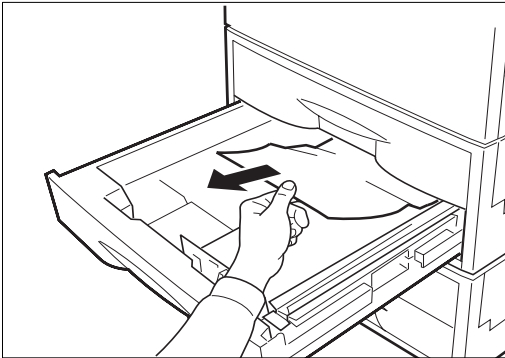
When removing jammed paper, use extreme care to leave no paper debris in the printer.

[Paper Jam — Right Cover #]



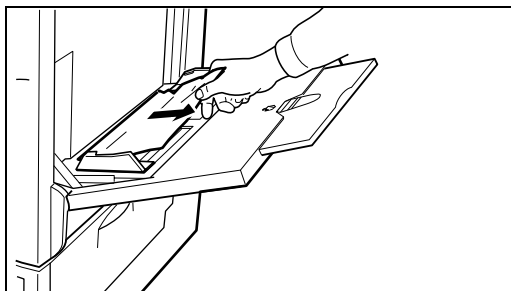
Open the paper feeder right cover according to the number in place of #, top (1) to bottom (3). Pull the paper outward. Close the right cover.

[Paper Jam — Cassette #]



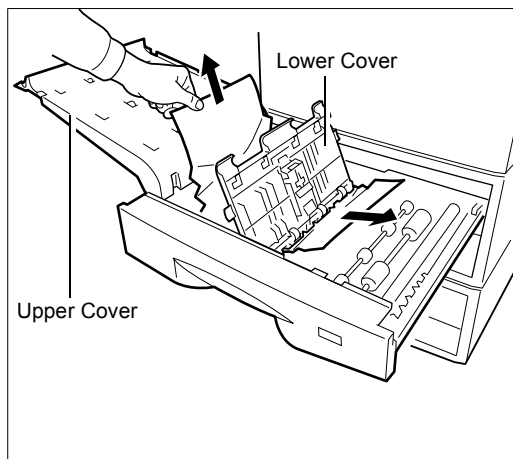
Open the paper cassette according to the number in place of #, top (1) to bottom (6). Remove the paper in the paper cassette.

[Paper Jam — MP Tray]



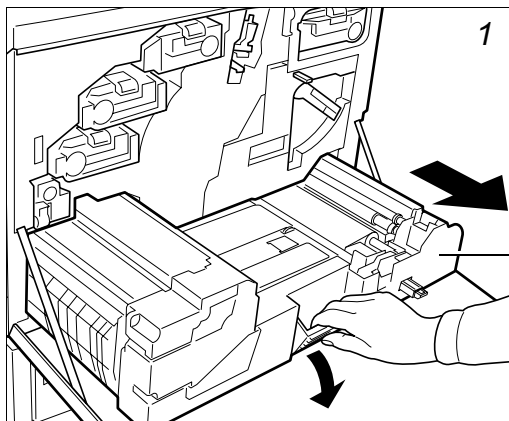
Remove the jammed paper on the MP tray up and towards the right.

[Paper Jam — Duplexer]



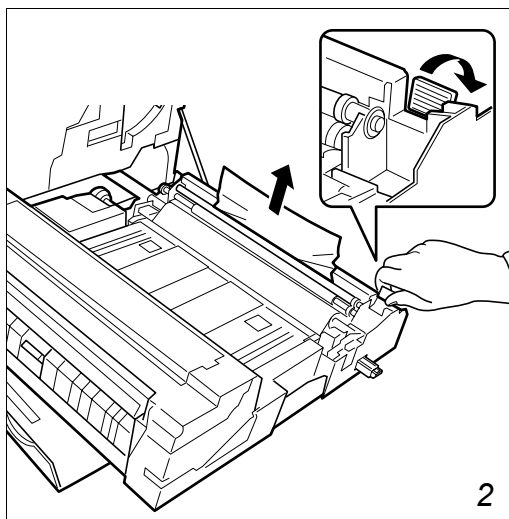
Open the duplexer drawer. Open the upper and lower plastic covers and remove paper under the covers and rollers.

[Paper Jam — Paper Transfer Unit]

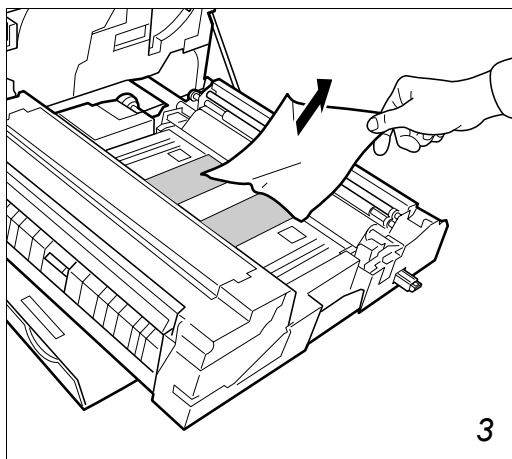


Open the front cover. Pull the paper transfer unit out completely.

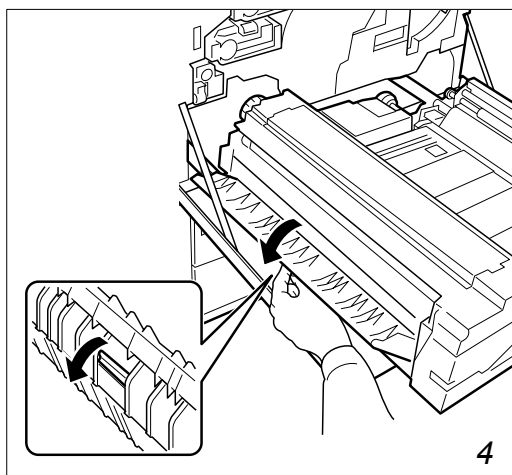
Paper Transfer Unit



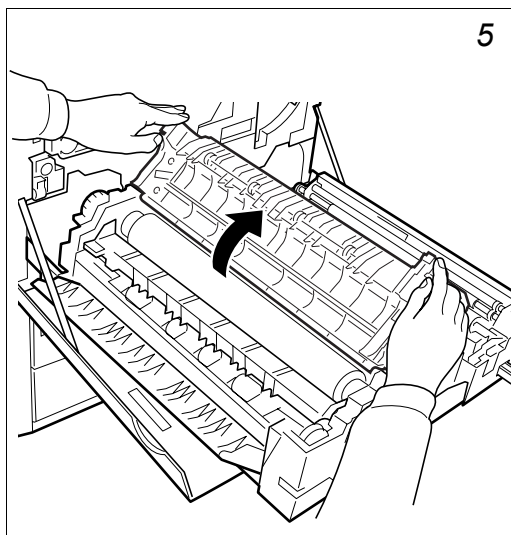
Remove the paper by swinging the green-colored lever to the right.



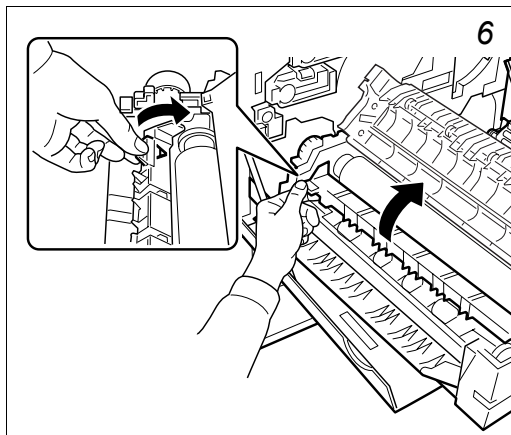
Remove the paper on the rubber belts (black).



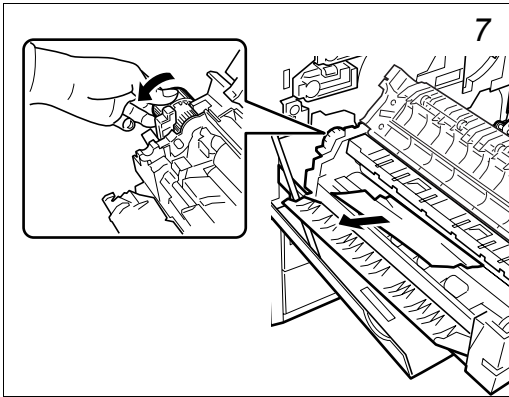
Open the fuser access cover by pressing the green-colored lock lever.



Open the fuser top cover.



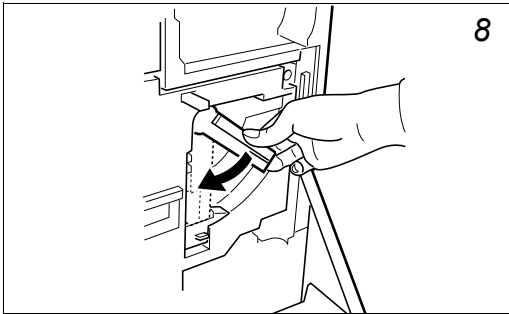
Raise the sub-cover by grasping the clip marked as A on the rear side while removing the paper.



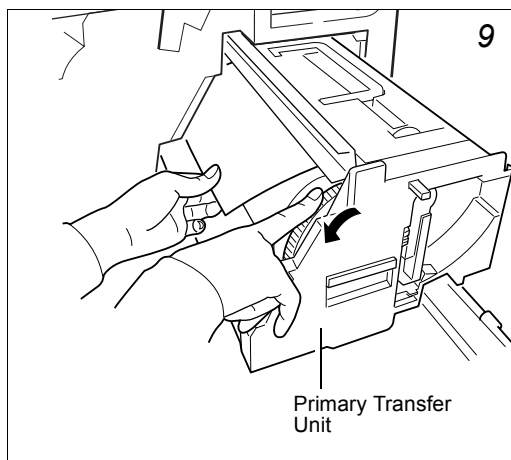
7
If the paper is pinched between the rollers, turn the wheel.



Rotate the wheel only in the direction illustrated in the diagram.



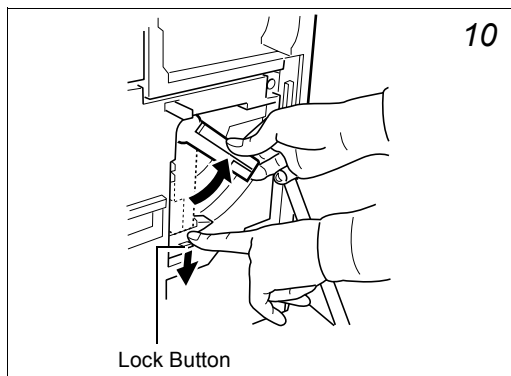
8
Turn the green-colored lever down to the six o'clock position. This allows you to draw out the primary transfer roller.



Turn the wheel (with gear teeth) on the right-hand side of the primary transfer unit. Remove the jammed paper.



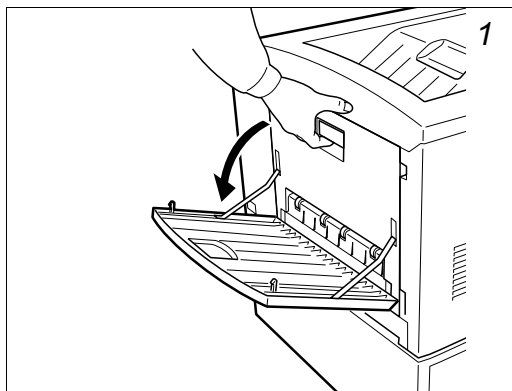
Use care not to touch the drum component in the primary transfer unit.



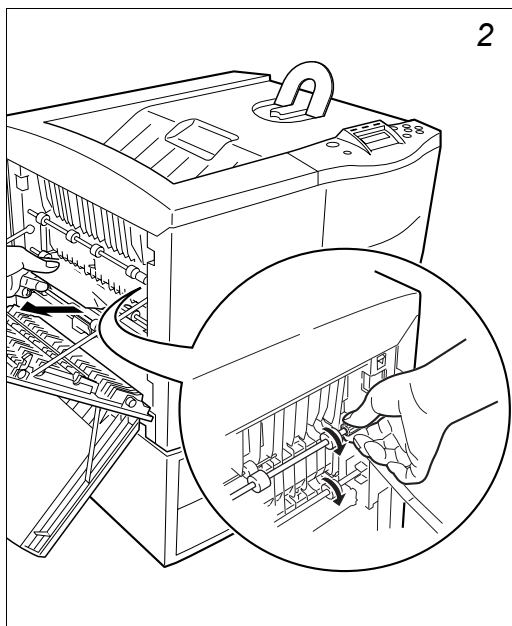
Push the primary transfer unit back in. While pressing down the lock button, set the lock lever back to the original (four o'clock) position.

Push the paper transfer unit back in completely and close the front cover.

[Paper Jam — Left Cover]



Open the face-up tray. Open the left cover by pulling the handle.



Remove the jammed paper.

If the paper is stuck under the roller, grasp the green-colored knob and rotate the roller in the direction indicated in the diagram so that the paper is driven out.

If the paper does not go easily, refer to section *[Paper Jam — Paper Transfer Unit]* on page 21.

[Paper Jam — Option Stacker/Finisher/Sorter]

Paper jam has occurred in the bulk stacker, document finisher, or sorter which is an optional equipment. Remove paper jam in the option unit.

Toner Container Replacement

The life of the toner containers depends on the amount of toner required to accomplish your printing jobs.

When 5 % coverage (a typical business document) of individual toner colors is assumed for A4 or letter size, the average life of each toner container is as follows[†]:

TK-800K Black	25,000 pages
TK-800C Cyan	10,000 images
TK-800M Magenta	10,000 images
TK-800Y Yellow	10,000 images

Replace the toner container when the printer displays, for example:

```
Toner low
C
```

This is the first caution. Note the replacement is not always necessary at this stage. Replace the toner container immediately when the printer displays:

```
Replace Toner
C
```

[†] These figures will be smaller when the starter toner containers are used.

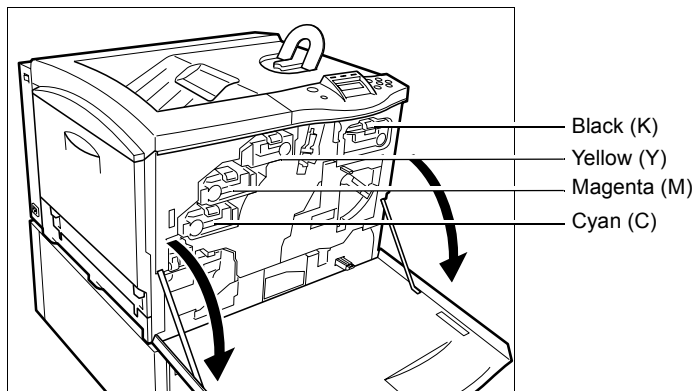
Replacing the Toner Container

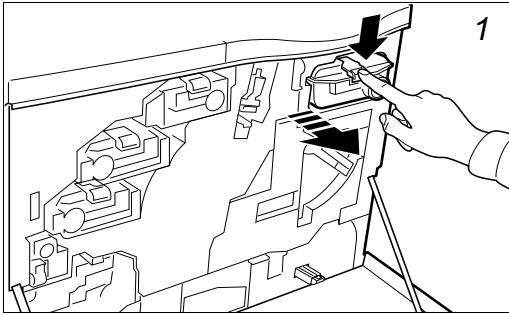


Note

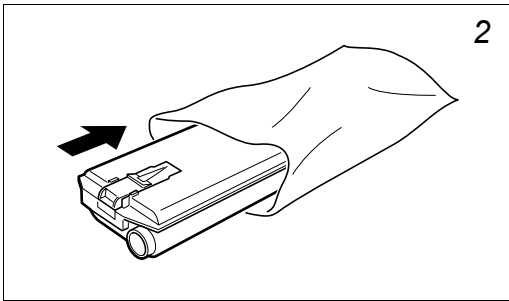
You do not have to turn printer power off before starting the replacement. Any data that may be under printing process will be deleted if you turn printer power off.

To replace the toner container, first make sure of the color of the toner container requiring replacement according to the message display. In this example, it is assumed that you are replacing the black toner container. To replace the other color toner container, use the same procedure.

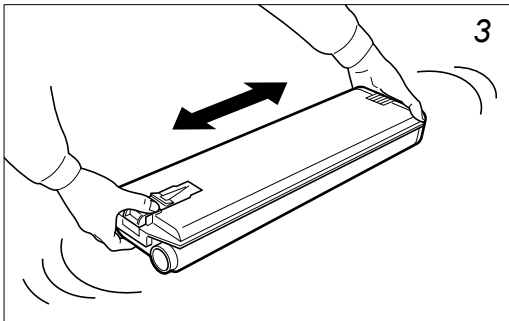




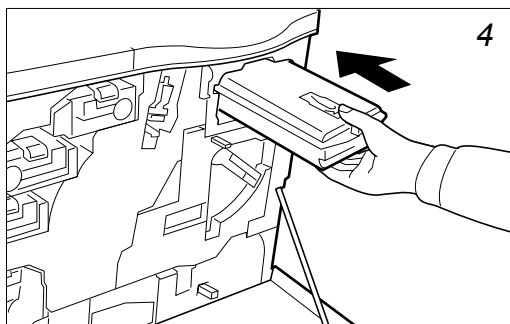
While pressing down the blue-colored lever at the end of the toner container, pull the toner container out.



Put the old toner container in the plastic waste bag (contained in the toner kit) and discard it.



Take the new toner container out of the toner kit. Hold the container and shake the container back and forth at least 5 times.



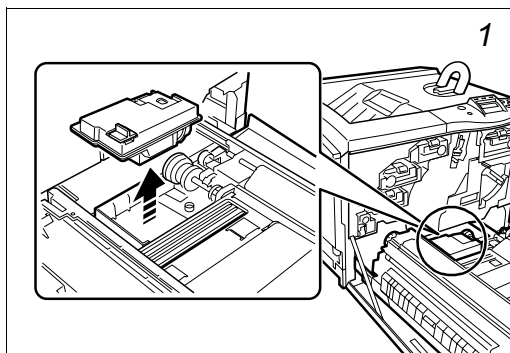
Insert the new toner container all the way in. The container is locked automatically when it is properly seated.

When the toner container has been replaced, proceed to the next section.

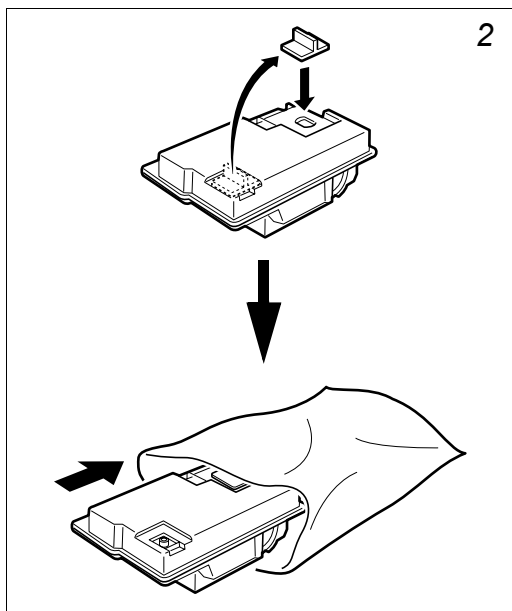
Replacing the Waste Toner Box

Replace the waste toner box each time you replace the toner container. A new waste toner box is included with the toner kit. The printer will not operate without replacing the waste toner box.

Pull the paper transfer unit all the way out.



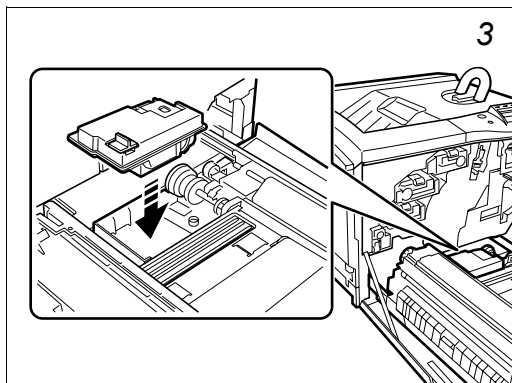
Slowly remove the waste toner box. Do not place the removed box upside down.



2

The old waste toner box has a cap. Remove the cap (black) on the top of the box and put the cap onto the opening. This is to prevent the toner from spilling.

Put the old waste toner box in the plastic waste bag (contained in the toner kit) and discard it.



3

Insert the new waste toner box (contained in the toner kit) upright until it snaps into place.



Do not put the lid on the opening of a new waste toner box. This could cause damage to the printer.

Cleaning the Printer

The following parts must be cleaned each time the toner container is replaced:

- Registration roller
- Belts
- Main charger wire
- Main charger grid

These parts are explained in the following sections. In addition to this, it is recommended that these parts are cleaned periodically at least once a month.

Cleaning the Paper Transfer Unit

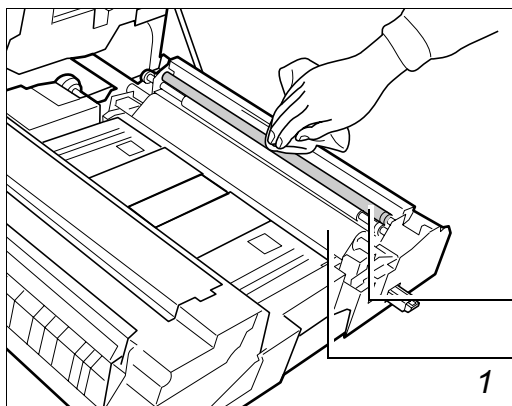
Print problems such as soiling of the reverse side of printed pages may occur if the paper transfer unit becomes dirty. To clean the paper transfer unit:

Open the front cover. Pull the paper transfer unit out by its handle.



Note

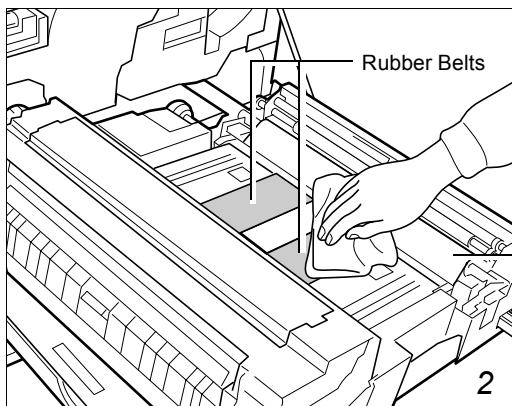
Be careful not to touch the transfer belt (brown) during cleaning as this may adversely affect print quality.



Clean the metal roller as shown (the registration roller) using the cleaning cloth (included in the toner kit).

Registration Roller (Metal)

Transfer Belt (brown)



Rubber Belts

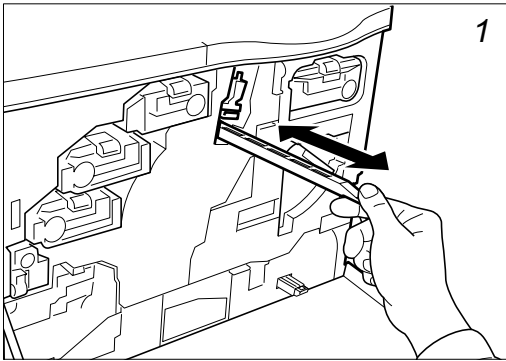
Clean the rubber belts (black) using the cleaning cloth.

Transfer Belt (brown)

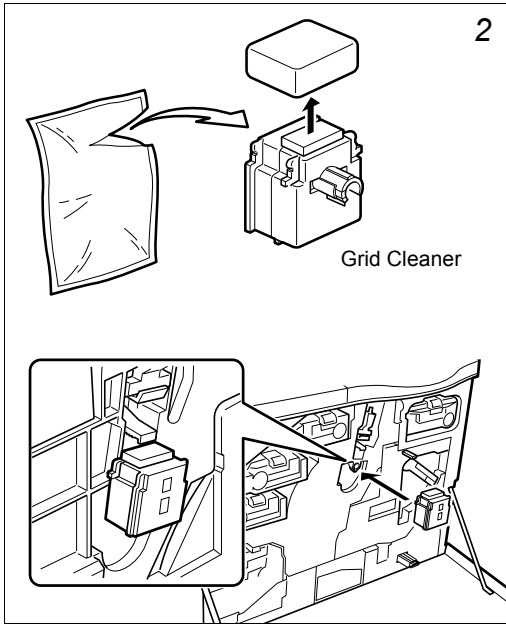


Cleaning the Main Charger Unit

The main charger unit needs to be cleaned periodically as it gets contaminated with dioxide after a long usage, causing black streaks, etc. on the paper. The main charger is comprised of two main parts — the wire and the grid — which should be cleaned separately as instructed below:

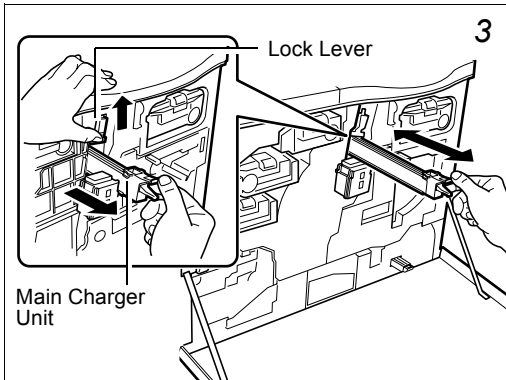


Cleaning the main charger wire — Grasp the tab of the cleaning knob (green) and gently pull out and push it back in 3 to 5 times.



Cleaning the main charger *grid* — Take the grid cleaner (included in the toner kit) out of the protective bag and remove the cap.

Attach the grid cleaner to the printer, with the pad facing up.



Slightly lift the main charger unit. Gently pull the main charger unit out and push it back in. Repeat this 2 to 3 times. These movements clean the grid at the bottom.

When finished, remove the grid cleaner from the printer and discard it. The grid cleaner cannot be reused.

Close the front cover.

Kyocera Mita Corporation

2-28, 1-Chome, Tamatsukuri, Chuo-ku
Osaka 540-8585, Japan
Phone: (06) 6764-3555